



## **Bing Su machine**

This manual is suitable for water-cooled cooling methods.



CHEF MAX

# *User Manual*

First of all, thank you very much for purchasing our company's snow ice machine products!

This product is a snow ice machine with a rated voltage of AC 220V, 50Hz.

Please read the manual carefully before use, and store it in a convenient

---

## **Contents**

- 1、 storage and transportation
- 2、 Safety Notice
- 3、 Installation Notes
  - 3.1 Name of each part
  - 3.2 Accessories
  - 3.3 Install snow ice machine
- 4、 Instructions for use
  - 4.1 Ice making use
  - 4.2 Warm reminder
- 5、 Safety warning
- 6、 Service Guide
  - 6.1 Troubleshooting and Solutions
  - 6.2 Product Specifications and Technical Parameters

## 1、 Storage and transportation

1. During the entire storage and transportation process, please keep the machine always in an upright state, avoid tilting, and strictly prohibit inversion.
2. For storage, please place it in a dry and ventilated environment, away from fire sources, and do not stack heavy objects on top of the machine.
3. After the machine has been transported and moved, do not test the machine immediately!

Before turning on the power for the first time, it must be left for 12 hours to test the machine or use it.

## 2、 Safety Instructions

1. Make sure the power socket is in good contact, and make sure the ground wire is well grounded!

Since the refrigeration compressor is more sensitive to the power supply voltage, the normal working voltage is 220-250V (export type 110-130V) . Please make sure the device works within the specified voltage range. Mismatched power frequency can cause damage to the machine! Please use 50Hz or 60Hz according to the actual situation ;

2. Please use a separate dedicated socket, not a multi-purpose socket.
3. Do not plug and unplug the socket with wet hands.
4. If the exposed wire is found to be damaged, stop using it immediately and cut off the power supply, and call our company to send professional technicians to replace it.
5. If the machine is faulty, please call our company to send professional technicians for maintenance. Non-professionals are prohibited from dismantling, which may cause safety accidents.
6. This product is professional equipment, please do not let children play and use

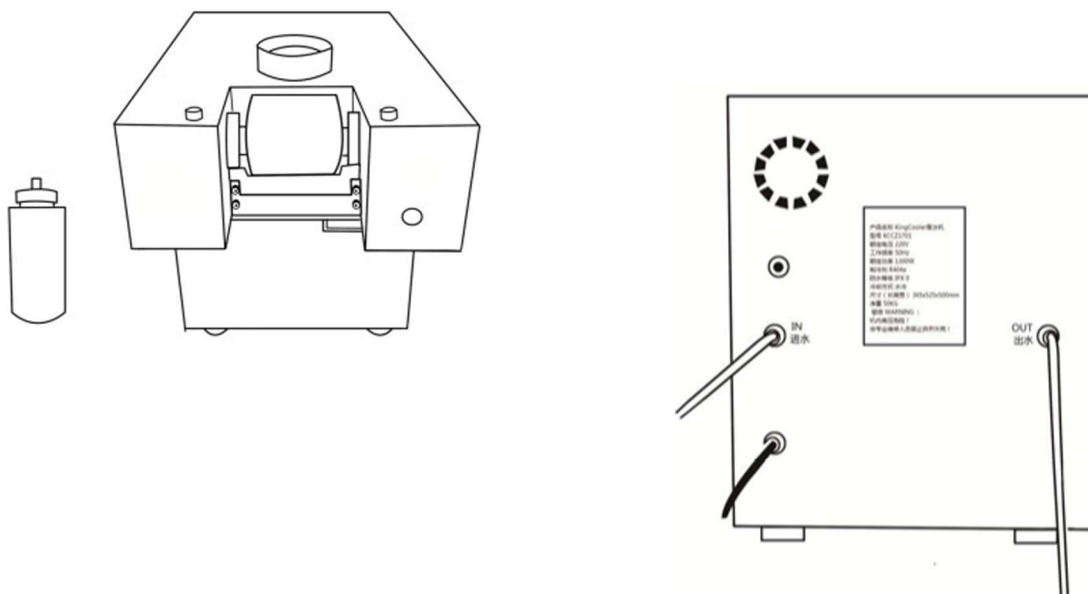


CHEF MAX

# User Manual

## Appearance and Part Names

The graphics in this manual are all schematic diagrams. Due to the continuous improvement of the product, no special notice will be given for different parts. Please refer to the actual product for the purchased product.



## 3、 Installation Notes

The snow ice machine is easy to install and use, please follow the steps below for the first use:

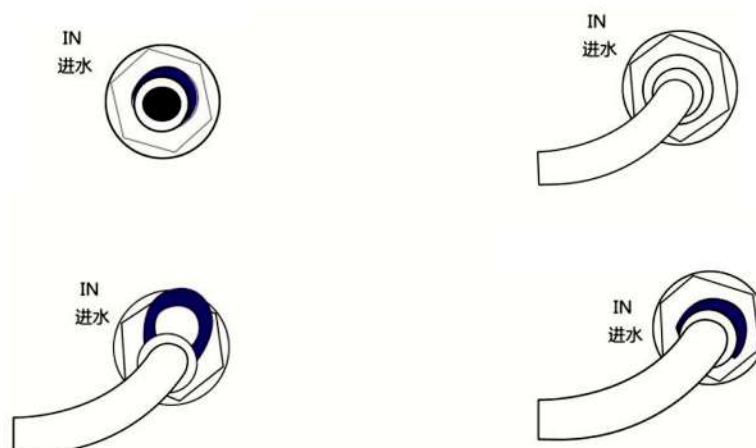
1. After the machine is transported and moved, do not immediately test the machine and turn it on!

Before turning on the power for the first time, it must be left for 12 hours to test the machine or use it.

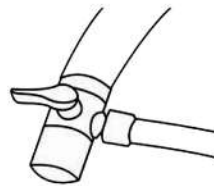
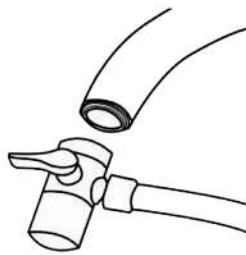
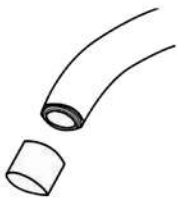
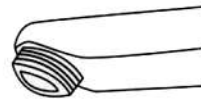
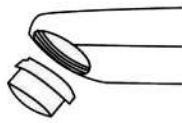
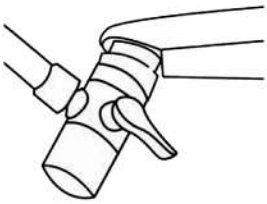
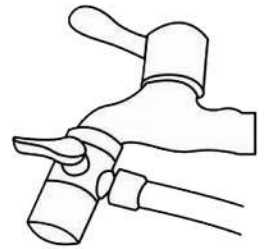
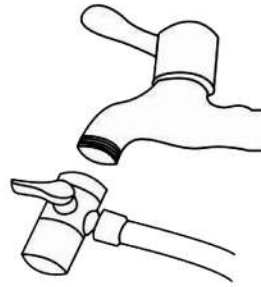
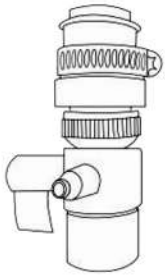
2. Place the machine on a dry and flat work surface. If the surface is not solid or flat, it may cause greater vibration and noise.

3. According to the needs of the site, cut the water inlet pipe and the water outlet pipe, as shown in the figure, respectively connect the water inlet pipe to the tap water pipe and connect it with the "IN water inlet" on the back of the machine, the water outlet pipe is connected to "OUT water outlet", and the water discharged from the water outlet pipe introduce into sewer pipes or store for reuse, or use circulating water coolers for recycling. (The water connected to the water inlet pipe needs a certain pressure, and the general city tap water is sufficient).

4. See the schematic diagram for the docking installation of different faucets.

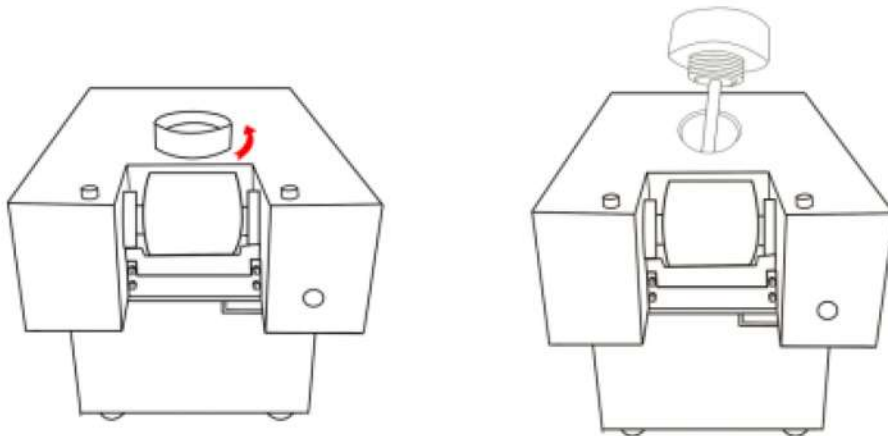


## Installation drawing of different faucets

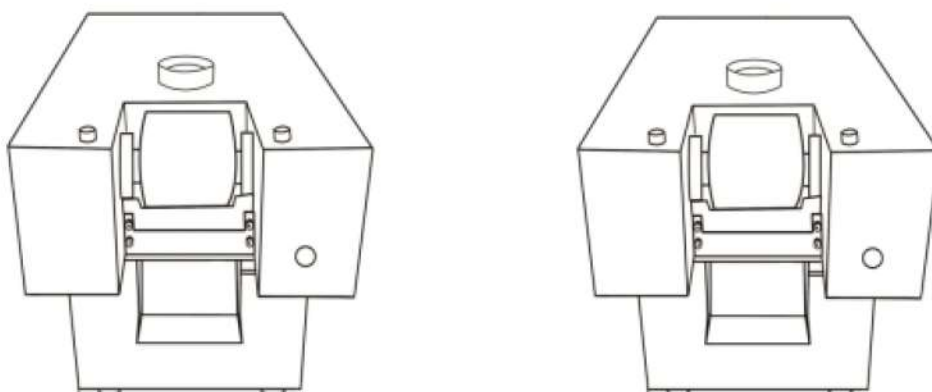


## 4、 Instructions for use

1. Before use, please clean the feeding device (liquid material bottle, bottle cap, access port, tray, drum) and other parts with clean water. Before cleaning, please place a water collecting basin directly under the drum to avoid wetting the work surface, and please understand the structure of part 2-3 in this section first.
2. The inlet of the feeding device can be taken out by twisting counterclockwise.



3. The bottom support of the tray is gently pushed from the middle to the head by hand, and the liquid tray will automatically tilt and fall down for cleaning. After cleaning, flatten the tray by hand, and then move the bottom support back to the middle of the tray to lift it up.





CHEF MAX

# User Manual

4. Put the prepared liquid material into the liquid material bottle. The liquid material will produce snowflakes of different shapes due to different materials (viscosity or sugar content ratio), such as filaments, snowflakes or soft ice.
5. Make sure to open the water inlet valve, turn on the power supply, press the ON/OFF operation switch on the machine panel, and after the initial idling operation for about 1 minute (idling should not exceed 10 minutes), check the water outlet pipe to confirm that there is water coming out, put the liquid material bottle. Tighten the cover and insert it into the liquid inlet on the top of the machine, and the ice making starts automatically.
6. Different snowflake shapes can also be made from the same material.
7. During the ice-making process, different liquid materials can be replaced, and there is no need to clean the feeding device.
8. To stop ice making, press the ON/OFF button directly, and the machine will automatically stop working.
9. After use, please pull out the power plug, turn off the water inlet switch of the machine, and clean the feeding device, roller, tray and blade.



ON/OFF



## Warm reminder

1. After the machine is out of use, the residual liquid material may become smelly if it is placed in the air for a long time. Depending on the liquid material, the use environment, and the outage time, clean the feeding device as needed.
2. Before cleaning the snow ice machine, be sure to cut off the power and unplug the power cord.
3. When the snow ice machine is not used for a long time, the surface needs to be dried and packaged, and stored in a dry environment.
4. It is forbidden to idle the equipment for more than 10 minutes in the case of ice making without liquid material. Too frequent startup or prolonged idle operation will affect the service life of the compressor.
5. This manual is often kept in the place where the snow ice machine is used.

## Other function description:

1. Containing viscous liquid materials, such as honey, yogurt or syrup, can be made into ice.
2. The liquid material after adding sugar can be made into filaments.
3. Water or milk can be made into snowflakes.

## Product Specifications and Technical Parameters

product name	snow ice machine	Product size (length, width and height)	360 x 525 x 500mm
model	KCCZ1 803	net weight	50KG
ice	Snowflake or filamentous	Rated power	1300W
cooling method	water cooling	Rated voltage	220V 50Hz
Evaporator	roller	Environmentally friendly refrigerant	R404a
Daily production	268KG	Convenience features	One key start and stop

In order to continuously improve product quality, parameters may be changed without notice.



CHEF MAX

# User Manual

## **safety warning :**

During use, please pay attention to the safety precautions, and use common sense to operate carefully. The company is not responsible for the loss caused by improper use or wrong operation.

Ignoring the safety precautions may result in personal injury or injury.

1. Except for the drum, blade and tray , it is forbidden to directly wash the machine shell, which may cause a short circuit or electric shock.
2. When the equipment is running, fingers or other parts of the body are not allowed to approach the roller and the blade to avoid pinching.
3. Do not touch the powered snow ice machine with wet hands.
4. It is forbidden to pull the power cord of the snow ice machine to prevent the power cord from being cut off and cause the risk of electric leakage.
5. Before moving, cleaning or overhauling, the power supply must be cut off and the power cord plugs must be pulled out.
6. When there is a quality problem, please turn off the power supply, do not continue to use it, do not repair or disassemble the snow ice machine by yourself, and please contact the manufacturer's after-sales service center for maintenance.
7. Do not allow children and the elderly to use this machine to avoid accidents.
8. Do not hit the drum with hard or sharp objects.
9. Do not place heavy objects on the machine.
10. Prohibit corrosive or flammable and explosive items near the machine.
11. Do not use it in a humid or rainy environment to avoid accidents such as electric shock and fire.
12. Plug and unplug the power cord with wet hands to prevent electric shock.

**Notice:**

1. If the power cord is damaged, in order to avoid danger, it must be replaced by the manufacturer's professional maintenance personnel or professionals in similar departments.
2. When the ice making is finished, please unplug the power plug. Do not pull the power cord when unplugging.
3. Please clean the power cord plug regularly to prevent poor contact.
4. Be sure to turn off the faucet after ice making.

**Appendix :**

1. 1 water inlet/outlet pipe (cut into two water inlet and outlet pipes according to the length of the site).
2. 1 faucet connector.
3. A liquid bottle.
4. 1 dust cover cover.



CHEF MAX

# User Manual

## Troubleshooting

question	Solution
1. Unable to boot	<ol style="list-style-type: none"><li>1. Check whether the circuit is normal and keep the circuit powered on</li><li>2. Check whether the water switch is in the water inlet state, and turn on the water inlet</li><li>3. Check the water outlet, keep the water flowing</li></ol>
1. The machine does not run and frequently trips the switch	<ol style="list-style-type: none"><li>1. Check whether the circuit is normal and ensure the power-on state</li><li>2. Check whether the water switch is kept in the water inlet state, and turn on the water inlet</li><li>3. Check the water outlet, keep the water flowing</li></ol>
2. Slow ice making	<ol style="list-style-type: none"><li>1. It is normal for the machine to start slowly for the first time every day, and it will be much faster after that. The whole system needs a pre-cooling process.</li><li>2 Adjust the amount of cooling water inflow.</li><li>3. Adjust the blanking flow.</li><li>4. Long-term ice making is slow, please call our technical service department.</li></ol>
3. Insufficient icing	<ol style="list-style-type: none"><li>1. Check whether there is too much cutting, and adjust the flow of cutting</li><li>2. Adjust the speed knob to slow down the running speed</li><li>3. Try other different liquid materials, there may be a problem with the material of the liquid material</li></ol>
4. The drum can run but not freeze	<ol style="list-style-type: none"><li>1. Stop for 1-3 hours and then turn it on again.</li><li>2. Please call the manufacturer's technical staff to solve the problem.</li></ol>
5. Ice cubes fall off in lumps	<ol style="list-style-type: none"><li>1. Liquid material problems, generally pure water or other liquid materials may appear in this shape, change other liquid materials or adjust with sugar.</li><li>2. The blade is worn out after long-term use, take out the blade and sharpen it.</li></ol>
5. Other situations	Please call the manufacturer's technical department to resolve.